



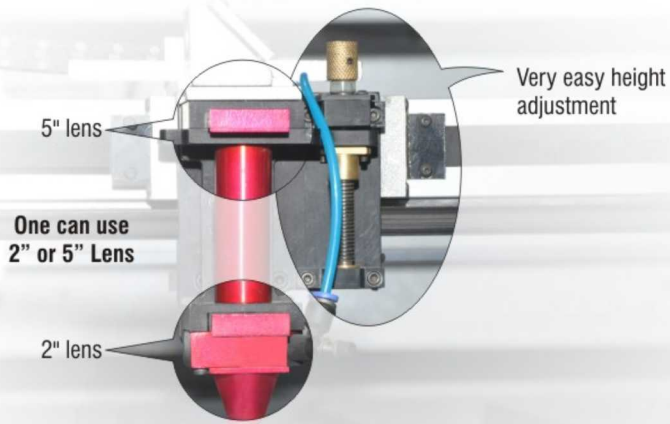
# Leebra Series

Laser Engraver



## FEATURES

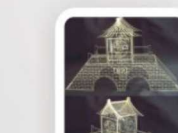
- ▶ Special design of carriage where 2" lens or 5" lens both can be used. 5" lens gives better quality of cutting if the thickness of material is more than 10mm and 2" lens for cutting media less than 10 mm thickness
- ▶ High quality touch panel display – very easy to use
- ▶ Pass through design for long length of work piece in Y-axis direction
- ▶ Machine is provided with Foot-mounting legs so that there is no vibration in machine and machine can be adjusted for zero level.
- ▶ As it is made in India No waiting period for spare parts & quick service support
- ▶ Machine is provided with heavy duty compressor which has Air-assist combining adjustable focus systems in coaxial jet air to prevent cutting edge from burning down
- ▶ Laser cut software with window based software enhance cutting speed & angle / curve performance
- ▶ Laser seals the edges of fabric while cutting
- ▶ Maximum cutting thickness – 25mm
- ▶ High quality of chiller unit for better performance and long life of laser tube



Paper Cutting



Fabric Cutting



MDF Cutting

## SPECIFICATIONS

MODEL	Libra 43	Libra 32
X,Y Cutting Area	4' x 3' (1220 mm x 918 mm)	3' x 2' (918 mm x 610 mm)
Laser Power	120 W	
Traveling Speed	0.1 to 400 mm/s	
Reposition Accuracy	± 0.025 mm	
Minimum Letter Size	1 mm ( English font )	
X Y Movement System	Linear Guide Way	
Z – Axis Movement	Manual	
Power Adjustment	0.1 to 100 %	
Maximum Cutting Thickness	Up to 25 mm Acrylic	
Driving System	Stepper Motor	
Operating System	Win XP , Win 7 32 bit	
Interface	USB Interface	
Supported Format	PLT, DXF, AI, BMP	
Working Voltage	Single Phase 220V/50Hz (Required Earthing)	
Running Environment	45°C, Humidity 5% - 80%	
Operating Display	Touch Panel	
Memory Buffer	100 MB (Max. 33 files)	
Overall Dimension (LxWxH)	1525 x 1920 x 1100 mm	1200 x 1780 x 1060 mm
Weight	332 Kg	243 Kg
Power Consumption	2 KW	

Specifications are liable to change without prior notice. All trademarks mentioned are property of their respective owners.



Manufactured & Marketed by:

**MEHTA CAD CAM SYSTEMS PVT. LTD. (UNIT-I)**

**HEAD OFFICE:** 4 & 5, 2nd Floor, Sumel Complex, Opp. GNFC Info Tower, Sarkhej Gandhinagar Road, Ahmedabad-380 059. INDIA.

Tel. : +91-79-26840551 / 26840552 / 26840553

Fax : +91-79-26840554 E-mail : sales@mehtaindia.com

For Immediate Assistance, Contact on 092279 85731, 092276 78044